

# smART sketcher®

## USER MANUAL

**Ages  
5 to 105**

Activity Pack  
Content Card  
Slot

Control Buttons

LED Indicators

Adjustable  
Focus

Paper Holder

On/Off Switch (back)

Power Jack (back)

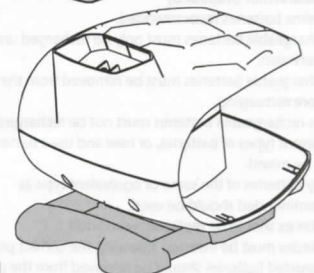
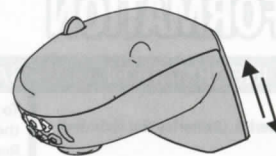
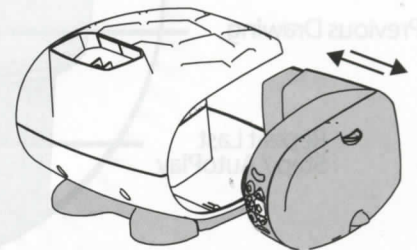
Stability Legs

\*Battery Compartment (bottom)

## SIMPLE SETUP

1. Separate the blue projector head from the white base unit.
2. Insert blue unit into top of white base until you hear a click.
3. Insert 4 D batteries (not included) or plug-in the smART sketcher® Transformer (Included).
4. Pull out the blue legs to stabilize the projector and create a paper holder.
5. Flip the switch on the back to turn on the projector.
6. Insert the preloaded activity card into the card slot at the top of the projector.
7. After around 10 minutes with no activity the projector light will automatically turn off. Reactivate the light by using the buttons in the app or on the projector.

For more fun and information on SmART Sketch please visit [www.smARTsketcher.com](http://www.smARTsketcher.com)  
Please note that additional information packs are not currently available in the UK.  
Please contact Character Options Customer Services or visit [www.character-online.co.uk](http://www.character-online.co.uk) if you have any queries.



### WARNING! CHOKING HAZARD.

Not suitable for children under 36 months. Choking hazard (small parts, strangulation/entanglement hazard (long cable). Please remove all packaging attachments before giving this product to a child. Please use discretion if making purchases for children younger than the age recommended on this package. At the end of the useful life of this product do not dispose in normal household waste. Check with your local authority or responsible disposal centre and submit to the collection point for the recovery and recycling of electrical and electronic equipment. Product specifications, colour and contents may vary from those illustrated. **IMPORTANT:** Please retain packaging/instructions and purchase details for future reference as they contain important information.



**WARNING!** Not suitable for children under 36 months due to misuse of transformer can cause electrical shock.

### RECYCLING OUR PRODUCTS

All our product and packaging is designed with easy and safe recycling in mind. For information on the National Recycling Strategy and the recycling logo on this pack or product please visit [www.Recycle-More.co.uk](http://www.Recycle-More.co.uk) - where you will find the answers to your UK recycling questions.



Imported by:  
**Character Options Ltd.**,  
Lees Brook Mill, Lees Road,  
Lees, Oldham OL4 5JL UK  
**Customer Service Department**  
Tel No: **0161 633 9808**  
Made in China

[www.character-online.co.uk](http://www.character-online.co.uk)

**WARNING!** Risk of entanglement/strangulation due to long cable. Keep away from head and neck.

Item: SMART SKETCHER with AC adaptor  
Item Number: SSP961  
Age Grade: 5 years plus

# QUICK START

1. Download the "smART sketcher Projector" app on your mobile device or tablet. Open and enable permission for access to camera and photos.
2. Turn on your Bluetooth and connect to the projector by clicking on the "connect" button at the top right of your screen.
3. Choose your mode of play: Learn to Draw (pre-loaded activity card), or Trace Pictures (taken from your own device).
4. Trace Pictures:
  - Select an image from your photos or take your own using the in-app camera.
  - Select a filter.
  - Drag finger across screen to adjust darkness.
  - Press the checkmark to transfer image to the smART sketcher® Projector.
  - Begin tracing on paper.
5. Learn to Draw:
  - Insert the preloaded activity card or a smART sketcher Creativity Pack (purchased separately) into the top of the projector.
  - The title will appear under Learn to Draw icon in the app.
  - Tap the icon to preview the loaded content.
  - Scroll to find the picture you wish to draw and select it.
  - Adjust your settings using either the icons on the app or the buttons on the projector.
  - Image will be projected onto your paper. Begin drawing!



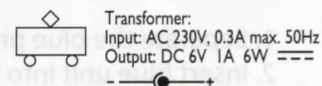
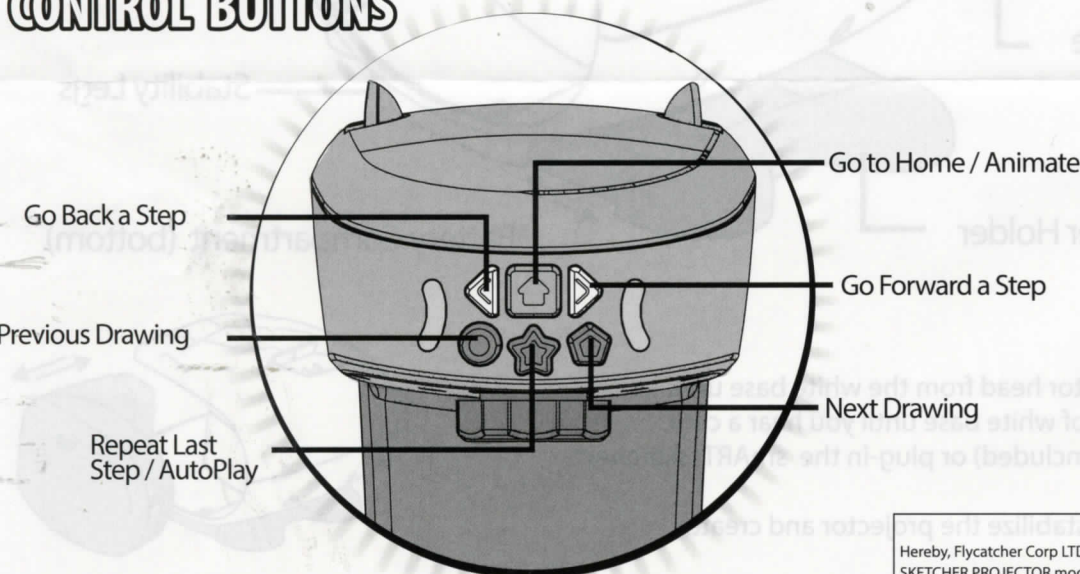
Requires Android OS 5.0+  
Requires Apple OS 8.0+



Under the environment with Fast Transient, the product may malfunction and require user to reset the unit. To reset, switch it off and then turn it on after a minute.

For more detailed instructions, please visit [www.smartsketcher.com](http://www.smartsketcher.com)

# CONTROL BUTTONS



Operating frequency: 2.402 GHz - 2.480 GHz  
Maximum RF transmitted power: 0.010965 mW

**Declaration of Conformity**  
Hereby, Flycatcher Corp LTD., declares that the radio equipment type SMART SKETCHER PROJECTOR model# FCSS0001 is in compliance with Directive 2014/53/EU. The full text of the EU declaration of conformity is available at the following internet address: <https://s3-us-west-2.amazonaws.com/flycatcher-docs/DOC.pdf>

# SAFETY INFORMATION

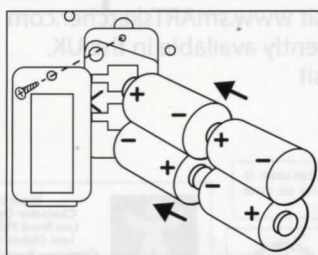
## BATTERY SAFETY INFORMATION

**Requires 4 x 1.5 D/LR20 Batteries. (Batteries Not Included) or transformer (Included)**

- Alkaline batteries recommended.
- Rechargeable batteries must only be recharged under adult supervision.
- Rechargeable batteries must be removed from the toy before recharging.
- Non-rechargeable batteries must not be recharged.
- Different types of batteries, or new and used batteries must not be mixed.
- Only batteries of the same or equivalent type as recommended should be used.
- Batteries should be replaced by an adult.
- Batteries must be inserted following the correct polarity.
- Exhausted batteries should be removed from the product.
- The supply terminals must not be short-circuited.
- Batteries should be removed from the product when not in use.
- Do not dispose of batteries in fire.

## BATTERY INSTALLATION

To insert or change the batteries, twist the screw counter-clockwise to loosen. Remove old batteries and insert 4 D batteries with the correct polarity. Replace the screw and twist clockwise to close.



1.5V 4 x 1.5 D/LR20

## TRANSFORMER:

- This product shall only be used with a transformer for toys.
- This product is not intended for children under 3 years old.
- Read the instructions before use, follow them and keep them for reference.
- This product must only be used with the recommended transformer.
- The transformer is not a toy.
- Products liable to be cleaned with liquids are to be disconnected from the transformer before cleaning.
- Transformer, if used with this product is to be regularly examined for damage to the cord, plug, enclosure and other parts, and in the event of such damage, it must not be used until the damage has been repaired.
- This product must not be connected to more than the recommended number of power supplies.
- Products with wires without connecting means are not to be inserted into electrical sockets.
- The product must only be used with correct voltage and power rating as recommended when using a transformer.



smART sketcher® is a trademark of Flycatcher Corp. Ltd  
Copyright © 2018  
Flycatcher Corp. Ltd  
All rights reserved.

Visit us at:  
[www.smARTsketcher.com](http://www.smARTsketcher.com)

Manufactured by:  
Flycatcher Corp. Ltd  
11-12 St James's square  
SW1Y 4LB  
London, UK  
[support@flycatcherapps.com](mailto:support@flycatcherapps.com)  
Made in China

For more detailed instructions, questions or problems, please visit [www.smartsketcher.com](http://www.smartsketcher.com).